

Sinergex™

PureSine 1500

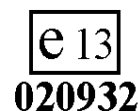


User's Manual

Sinergex Technologies L.L.C. (USA)

Website: www.sinergex.com

Email: office@sinergex.com





List of contents

1. Important safety instructions	
1-1 General safety precautions.....	1
1-2 Precautions when working with batteries.....	2
2. Features	
2-1 Application.....	3
2-2 Electrical performance.....	4
2-3 Mechanical drawings.....	5
3. Introduction	
3-1 Front panel operations	6~7
3-2 Rear panel operations.....	7
3-3 Installation.....	8
3-4 Quick hook – up and testing.....	9~10
3-5 AC safety grounding.....	11
3-6 Making DC wire connections.....	12~13
3-7 Inverter operation.....	14~15
3-8 Power output.....	16
4. Troubleshooting guide.....	17~18
5. Maintenance.....	19
6. Warranty.....	19
7. Appendices A	
7-1 Dip switch (110V).....	20
7-2 Dip switch (220V).....	20
8. Appendices B	
8-1 Operations of RS232 serial port.....	21
8-2 Interface command	22~26
9. Appendices C	
9-1 Remote control operations.....	27~28
9-2 Power Saving mode.....	29~32

1. Important Safety Instructions



WARNING!

Before you install and use your PS-1500, be sure to read and Save these safety instructions.

1-1. General Safety Precautions

- 1-1-1. Do not expose the PS-1500 Inverter to rain, snow, spray, bilge or dust. To reduce the risk of hazard, do not cover or obstruct the ventilation openings. Allow good air flow to the inverter. Do not install the PS-1500 Inverter in a zero-clearance compartment. Overheating may result.
- 1-1-2. To avoid the risk of fire and electric shock, make sure the existing wiring is in good electrical condition and that wire size is not undersized. Do not operate the PS-1500 Inverter with damaged or substandard wiring.
- 1-1-3. This equipment contains components which can produce arcs or sparks. To prevent fire or explosion do not install in compartments containing batteries or flammable materials or in locations that require ignition protected equipment. This includes any space containing gasoline-powered machinery, fuel tanks, or joints, fittings, or other connections between components of a fuel system.



1-2. Precautions When Working with Batteries

- 1-2-1. If battery acid contacts skin or clothing, wash immediately with soap and water.
If acid enters eyes, immediately flood eye with running cold water for at least 20 minutes and get immediate medical attention.
- 1-2-2. NEVER smoke or allow a spark or flame in vicinity of battery or engine.
- 1-2-3. Do not drop a metal tool on the battery.
The resulting spark or short-circuit on the battery or other electrical parts may cause for or an explosion.
- 1-2-4. Remove personal metal items such as rings, bracelets, necklaces, and watches when working with a lead-acid battery.
A lead-acid battery produces a short-circuit current high enough to weld a ring or alike to metal, causing severe burns.

2. Features

- Pure sine wave output (< 3% THD)
- Output frequency: 50/60Hz switch table.
- Low power “ Power Saving Mode “ to conserve energy.
- RS – 232C interface / remote controls port
- Built–in voltage and watt meter.
- Thermostatically controlled cooling fan.
- Advanced microprocessor design.
- Protection:
 - Input low voltage
 - Overload
 - Short circuit
 - Low battery alarm
 - Input over voltage
 - Over temperature

2-1. Application

- 2-1-1. Power tools, circular saws, drills, grinders, sanders, jigsaws, weed and hedge trimmers, air compressors.
- 2-1-2. Office equipment, computers, printers, monitors, facsimile machines, scanners etc.
- 2-1-3. Household items, vacuum cleaners, fans, fluorescent and incandescent lights, shavers, sewing machines, etc.
- 2-1-4. Kitchen Items, microwave ovens, refrigerators and freezers, coffee makers, blenders, ice makers, toasters, etc.
- 2-1-5. Home entertainment electronics, televisions, VCRs, DVD players, video games, musical instruments, satellite equipment, Hi Fi equipment, etc.
- 2-1-6. Industrial equipment, work lights, etc.



2-2. Electrical Performance

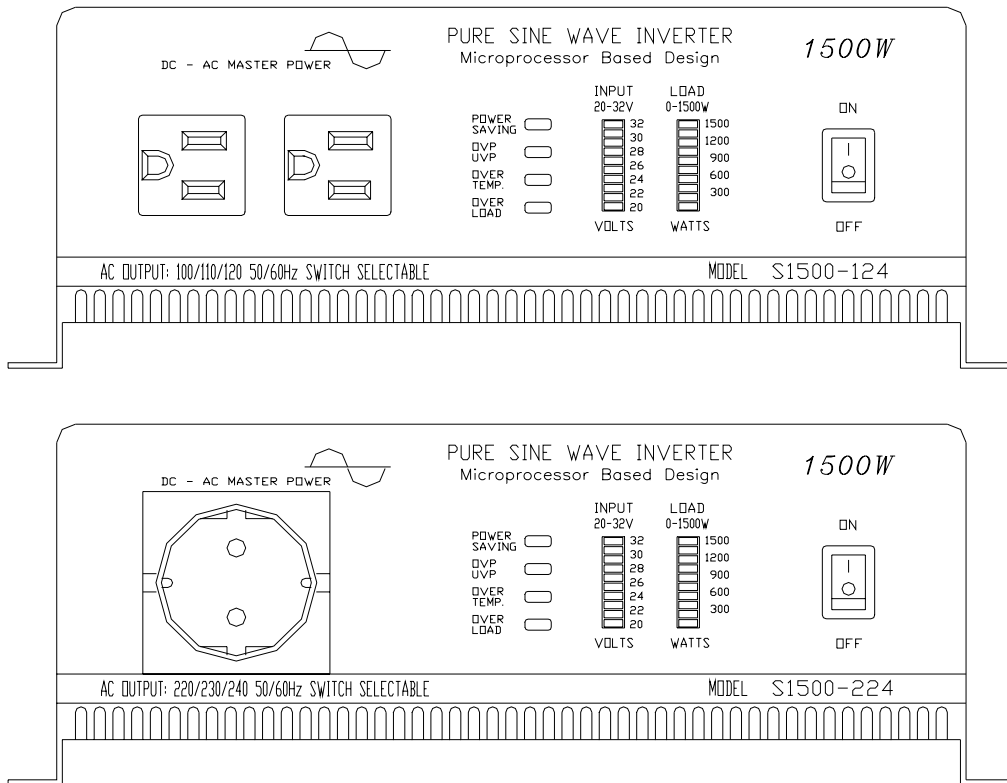
Specification	Model No.					
Item	PS-1500-1 12	PS-1500-1 24	PS-1500-1 48	PS-1500-2 12	PS-1500-2 24	PS-1500-2 48
Continuous Output Power	1500W					
Surge Rating	2000W					
Input Voltage	12V	24V	48V	12V	24V	48V
Output Voltage	100 / 110 / 115 / 120V ± 3%			200 / 220 / 230 / 240V ± 3%		
Frequency (Switch Selectable)	50/60Hz +/- 0.05%					
Peak Output Current	25A			11A		
Efficiency (full load)	85%	87%	88%	86%	89%	90%
No Load Current Draw	1.5W Saving Mode					
Output Waveform	Sine Wave <3% THD					
Output Voltage Regulation	100 / 110 / 115 / 120V RMS -10%/+4%			200 / 220 / 230 / 240V RMS -10%/+4%		
Input Voltage Regulation	10-16 VDC	20-32 VDC	42-62 VDC	10-16 VDC	20-32 VDC	42-62 VDC
Protection	Overload, Short Circuit, Reverse Polarity (Fuse), Over/Under Input Voltage, Over Temperature.					
Power Saving Recovery Time	5 Second					
Interface Control Port	RS-232C With Baud Rate 1200, 2400, 4800 (Switch Selectable)					
Remote Control Unit	Optional					
Safety	UL458		EN60950			
EMC	FCC Class B		EN50081-1:1992 EN50082-1:1992 EN55022B:1994 EN61000-4-2:1995 EN61000-4-3:1996 ENV50204:1995		e-Mark e13-020932	
Operating Temperature Range	0-40					
Storage Temperature Range	-30 to 70					
Dimensions	390 (L) x 275 (W) x 105 (H) mm / 15.4 (L) x 10.8 (W) x 4.1 (H) Inch					
Cooling	Thermostatically controlled cooling fan					
Weight	7.0kgs / 15.5 lbs.					

3. Introduction:

The Sinergex PureSine power inverters are some of the most advanced mobile power products available. To get the most out of your PureSine 1500, it must be installed and used correctly. Please read the instructions in this manual before installing and using the inverter.

3-1. Front Panel Operation :

3-1-1. Front View:

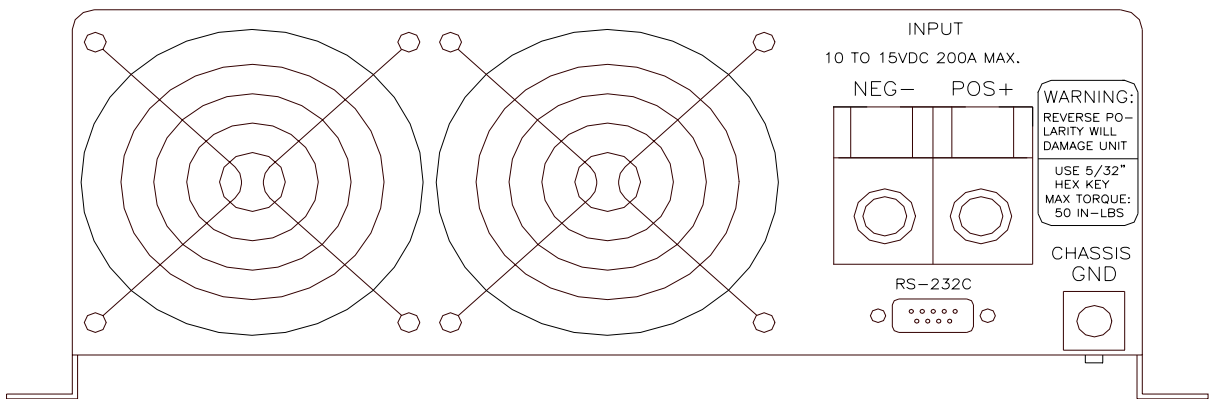


- 3-1-2. ON/OFF Switch:
Power ON/OFF switch. Leave in OFF position during installation.
- 3-1-3. Power Saving : Power energy saving enable.
OVP; Over Voltage Protection
UVP: Under Voltage Protection
OVT: Over Thermal/Heating Protection
OLP: Over Load Protection
Input Volts: Input Voltage Display
Load Watts: AC Load Wattage Display

3-1-4. AC outlet (Outlet sockets available):

- North America (GFCI)
- North America
- Continental European (Schuko)
- Australia / New Zealand
- United Kingdom

3-2. Rear Panel Operation :



3-2-1. Ventilation Openings:

Do not obstruct. Allow at least 1 inch for air flow.

3-2-2. Battery terminals:

Connect to 12V / 24V / 48V battery or other 12V / 24V / 48V power source.

RED is positive, BLACK is negative. Reverse polarity connection will blow internal fuse and may damage inverter permanently.

3-2-3. RS-232C:

Connect to remote control unit (optional accessory) or control remotely by computer.

3-2-4. Connect chassis ground terminal to earth or to vehicle chassis using 8 AWG wire.



WARNING!

Operation of the inverter without a proper ground connection may result in an electrical safety hazard.



WARNING!

Shock Hazard. Before proceeding further, carefully Check the inverter is NOT connected to any batteries and all wiring is disconnected from any electrical sources. Do not connect the output terminals of the PS-1500 Inverter to an incoming AC source.

3-3. Installation:

Where to install. The power inverter should be installed in a location that meets the following requirements:

- 3-3-1. Dry – Do not allow liquid to drip or splash on the inverter.
- 3-3-2. Cool – Ambient air temperature should be between 0 and 40 degrees Celcius. The cooler the environment the better.
- 3-3-3. Safe – Do not install in a battery compartment or other areas where flammable fumes may exist, such as fuel storage areas or engine compartments.
- 3-3-4. Ventilated – Allow at least one inch of clearance around the inverter for air flow. Ensure the ventilation openings on the rear and bottom of the unit are not obstructed.
- 3-3-5. Dust-Free – Do not install the PS-1500 Inverter in dusty environments where contaminants such as dust, wood particles or other filings or shavings. These particles can be pulled into the unit when the fan is operating.
- 3-3-6. Close to batteries – Avoid excessive cable lengths but do not install the PS-1500 Inverter in the same compartment as batteries. Use the recommended wire lengths and sizes (see section 2-10). Also do not install the inverter where it will be exposed to the gases produced by the battery. These gases are very corrosive and prolonged exposure will damage the PS-1500 Inverter.

3-4. Quick hook – up and testing:

For a quick hook-up and test of the inverter to check its performance before final installation, please follow these guidelines:

- 3-4-1. Unpack and inspect the power inverter. Check to see that the power switch is in the OFF position.
- 3-4-2. Connect the cables to the power input terminals on the rear panel of power inverter .
The red terminal is positive (+) and black terminal is negative (-).
Insert the cables into the terminals and tighten wires securely.



WARNING!

Make sure the DC terminal connections are tight and secure. (torque to 9-10 ft-lbs, 11.7-13Nm). Loose connections will overheat and could result in a potential hazard.

- 3-4-3. Before proceeding further, carefully check that you have connected cables to the DC terminals correctly. That is the RED cable to the positive (+) terminal and the black cable to the negative (-) terminal.



CAUTION !

and may cause permanent damage to the inverter. Damage caused by reverse polarity is not covered by warranty.

3-4-4. Connect the cable from the negative terminal of the inverter to the negative terminal of the power source. Make a secure connection.



WARNING !

You may observe a spark when you make the connection since current may flow to charge capacitors within the inverter. Do not connect the inverter to your power source in the presence of flammable fumes. Explosion or fire may result.

3-4-5. Set the power switch to the ON position. Check the meters and indicators on the front panel of the inverter. The voltage bar graph should indicate 11 to 14 volts (22 to 28V when 24V version is used) depending on the voltage of the power source. If it does not, check your power source and the connections to inverter. All other indicators should be off.

3-4-6. Set the power inverter switch to the OFF position, the indicator lights may blink and the internal alarm may sound momentarily. This is normal. Plug the test load into the AC receptacle on the front panel of the inverter.

3-4-7. Set the power inverter switch to the ON position and turn the test load ON. The inverter should supply power to the load. If you plan to accurately measure the true output r.m.s. voltage of inverter, a meter such as FLUKE 45 BECKMAN 4410 or TRIPLETT 4200 must be used.

3-5. AC Safety Grounding:

During the AC wiring installation, AC input and output ground wires are connected to the inverter. The AC input ground wire must connect to the incoming ground from your AC utility source.

The AC output ground wire should go to the grounding point for your loads (for example, a distribution panel ground bus).

3-5-1. Neutral Grounding (GFCI'S):

3-5-1-1. **120V models:** The neutral conductor of the AC output circuit of the PS-1500 Inverter is automatically connected to the safety ground during inverter operation. This conforms to National Electrical Code requirements that separately derived AC sources (such as inverter and generators) have their neutral conductors tied to ground in the same way that the neutral conductor from the utility is tied to ground at the AC breaker panel. For models configured with a transfer relay, while AC utility power is present and the PS-1500 Inverter is in bypass mode, this connection (neutral of the PS-1500 Inverter's AC output to input safety ground) is not present so that the utility neutral is only connected to ground at your breaker panel, as required.

3-5-1-2. **230V models:** There is no connection made inside the PS-1500 Inverter from either the line or neutral conductor to the safety ground.

Ground Fault Circuit Interrupters (GFCI):

Installations in Recreational Vehicles (for North American approvals) will require GFCI protection of all branch circuit connected to the AC output of the hardwire terminal equipped PS-1500 Inverter. In addition, electrical codes require GFCI protection of certain receptacles in residential installations. While the pure sine wave output of the PS-1500 Inverter is equivalent to the waveform provided by utilities, compliance with UL standards requires us to test and recommend specific GFCI. Our Company has tested the following GFCI-protected 20A receptacles and found that they functioned properly when connected to the output of the PS-1500 Inverter.



WARNING !

Do not operate the power inverter without Connecting to ground.
Electrical shock me result.

3-6. Making DC Wiring Connections :

Follow this procedure to connect the battery cables to the DC input terminals on the PS-1500 Inverter. Your cables should be as short as possible (ideally, less than 10 feet / 3 meters) and large enough to handle the required current in accordance with the electrical codes or regulations applicable to your installation.

Cables that are not an adequate gauge (too narrow) or are too long will cause decreased inverter performance such as poor surge capability and frequent low input voltage warnings and shutdowns.

These low input voltage warnings are due to DC voltage drop across the cables from the inverter to the batteries.

The longer and narrower these cables, the greater the voltage drop.



WARNING !

Failure to place a fuse on the positive (+) cable Between the inverter and the battery may cause damage to the inverter and void warranty.



WARNING !

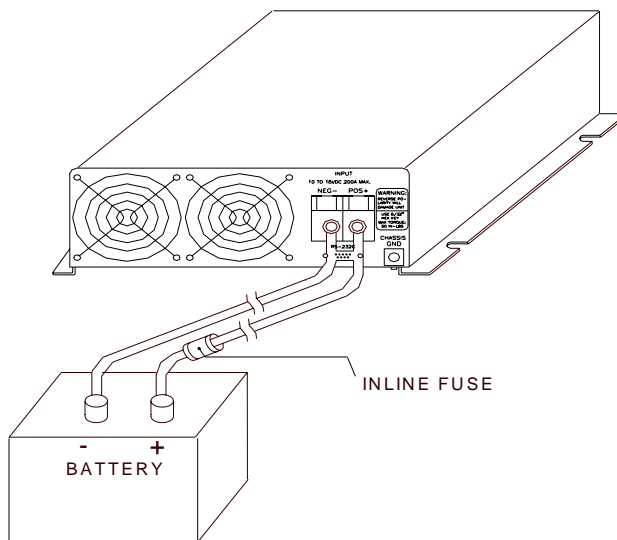
The installation of a fuse must be on the positive cable. Failure to place a fuse on “+” the cable between the inverter and battery may cause damage to the inverter and will void warranty.

Increasing your DC cable size will help improve the performance. Our Company recommends the following cables for optimum inverter performance (apply both 120V and 230V versions)

Model No	Wire AWG	Inline Fuse
PS-1500-112	# 2	200A
PS-1500-212	# 2	200A
PS-1500-124	# 4	130A
PS-1500-224	# 4	130A

Also, use only high quality copper wiring and keep cable length short, a maximum of 3-6 feet.

S1500





3-7. Inverter Operation:

To operate the power inverter, turn it ON using the power ON/OFF switch on the front panel. The power inverter is now ready to deliver AC power to your loads. If you are operating several loads from the power inverter, turn them on separately after the inverter has been turned on. This will ensure that the power inverter does not have to deliver the starting currents for all the loads at once.

3-7-1. Controls and indicators:

The ON/OFF switch turns the control circuit in the power inverter on and off. It does not disconnect power from the power inverter.

The PS-1500 Inverter operates from an input voltage ranging from:

10.5 to 15.0 VDC for 12V models

21.0 to 30.0 VDC for 24V models

42.0 to 60.0 VDC for 48V models

The PS-1500 Inverter will indicate high and low DC voltage conditions as follows :

Model	Dc Input over voltage shut-down	Dc Input under voltage alarm	Dc Input under voltage shut-down
PS-1500-112 PS-1500-212	16.7VDC	10.2VDC	9.5VDC
PS-1500-124 PS-1500-224	33.4VDC	20.4VDC	19.0VDC
PS-1500-148 PS-1500-248	62.0VDC	41.6VDC	40.0VDC

3-7-2. Battery voltage indicator:

The battery voltage bar graph indicates the voltage at the input terminals of the power inverter. At low input current, this voltage is very close to the battery voltage. At high input current, this voltage will be lower than the battery voltage because of the voltage drop across the cable and connections. Ideally, the voltage should remain in the green areas of the bar graph. If the voltage goes into the red area at the top and bottom of the graph, the inverter may shutdown.

3-7-3. Load watt indicator:

The AC load wattage bar graph indicates the power drawn from the power inverter by the load. For long term operation, the wattage indicator should remain in the green & orange areas of the bar graph. Short-term operation is possible with the wattage indicator in the red area. If the wattage indicator rises to high values the bar will flash and the inverter will shutdown to protect itself.

3-7-4. Over voltage indicator:

The over voltage indicator indicates that the power inverter has shutdown because its input voltage exceeded 12 / 24V /48VDC version.

3-7-5. Under voltage indicator:

The under voltage indicator indicates that the power inverter has shutdown because its input voltage fell below 12 / 24V /48VDC.

3-7-6. Over temp indicator:

The over temp indicator indicates that the power inverter has shutdown because its temperature has become too hot. The power inverter may overheat because it has been operating at power levels above its rating, or because it has been installed in a location which does not allow it to dissipate heat properly. The power inverter will restart automatically, once it has cooled.

3-7-7. Overload indicator:

The overload indicator indicates that the power inverter has shutdown because its output has been short circuited or drastically overloaded. Switch the ON/OFF switch to OFF, decrease your power load, and then switch the ON/OFF switch back to ON to reset the unit.

3-8. Power output:

The 1500W inverter will operate most AC loads within its power rating. When deeming whether a microwave oven can be operated by the 1500W inverter, remember that the power commonly advertised for microwave ovens are the cooking power (the power delivered to the food) not the power actually consumed by the microwave oven. The microwave oven will consume 40% to 100% more than its advertised cooking power. Check the rating sticker on the back of the oven to determine its actual power requirements.

The 1500W inverter will operate small microwave oven (0.2 to 0.3 cubic foot capacity) that draws about 1700 watts. It will provide 3 minutes of cooking time. Some induction motors used in refrigerators, freezers, pumps, and other motor operated equipment require very high surge currents to start.

The Power Inverter may not be able to start some of these motors even though their rated current requirement is within the power inverter.

If a motor is unable to start, observe the battery voltage indicator while trying to start the motor. If the battery voltage indicator drops below 11 volts while the inverter is attempting to start the motor, this may be why the motor won't start. Make sure that the battery connections are secure and the battery is fully charged. If the connections are secure and the battery is fully charged, but the voltage still drops below 11 volts, you may need to use a larger battery.

4. Troubleshooting guide:



WARNING!

Do not open or disassemble the PS-1500 Inverter. Attempting to service the unit yourself may result in a risk of electrical shock or fire and void warranty.

Common problems -Television interference:

Operation of the power inverter can interfere with television reception on some channels. If this situation occurs, the following steps may help to alleviate the problems.

- * Make sure that the chassis ground lug on the back of the power inverter is solidly connected to the ground system of your vehicle, boat or home.
- * Do not operate high power loads with the power inverter while watching television.
- * Make sure that the antenna feeding your television provides an adequate (“snow free”) signal and that you are using good quality cables between the antenna and the television.
- * Move the television as far away from the power inverter as possible.
- * Keep the cables between the battery and the power inverter as short as possible and twist them together with about 2 to 3 twists per foot. This minimizes radiated interference from the cables.

Problems and Symptoms	Possible Cause	Solutions
Low output voltage (110V : 95-105VAC 220V : 190-210VAC)	Using average reading voltmeter	Use true RMS reading meter and cable. See page 10 Point 3-4-7. of manual
Load LED bar flash.	Overload	Reduce load.
No output voltage. And voltage indicator in lower red zone.	Low input voltage.	Recharge battery, check connections and cable.

<p>No output voltage. Over Temp indicator on, load less than 1500W.</p>	<p>Thermal shutdown</p>	<p>Improve ventilation, Make sure ventilation openings in inverter are not obstructed. Reduce ambient temperature.</p>
<p>No output voltage, Over Load indicator On.</p>	<p>Short circuit or Wiring error.</p>	<p>Check AC wiring for short circuit or improper polarity (hot and neutral reversed).</p>
	<p>Very high power load</p>	<p>Remove load</p>



5. Maintenance:

Very little maintenance is required to keep your inverter operating properly. You should clean the exterior of the unit periodically with a damp cloth to prevent accumulation of dust and dirt. At the same time, tighten the screws on the DC input terminals.

6. Warranty:

We warrant this product against defects in materials and workmanship for a period of 24 months from the date of purchase and will repair or replace any defective Power Inverter when directly returned, postage paid, to us.

This warranty will be considered void if the unit has suffered any obvious physical damage or alteration either internally or externally and does not cover damage arising from improper use such as connecting the unit into an unsuitable power source, attempts to operate products with excessive power consumption requirements, or use in unsuitable environments.

This is the only warranty that the company makes. No other warranties express or imply including warranties of merchantability and fitness for a particular purpose. Repair and replacement are your sole remedies and the company shall not be liable for damages, whether direct, incidental, special or consequential, even though caused by negligence or other fault.

7. Appendices A

7-1. Dip Switch (110V)

S1	S2	VOUT (VAC)	S3	FREQ. (Hz)	S5	S6	BAUD RATE
ON	ON	100	ON	50	ON	ON	1200
OFF	ON	110	OFF	60	OFF	ON	2400
ON	OFF	115	----	----	ON	OFF	4800
OFF	OFF	120	----	----	OFF	OFF	4800

7-2. Dip Switch (220V)

S1	S2	VOUT (VAC)	S3	FREQ. (Hz)	S5	S6	BAUD RATE
ON	ON	200	ON	50	ON	ON	1200
OFF	ON	220	OFF	60	OFF	ON	2400
ON	OFF	230	----	----	ON	OFF	4800
OFF	OFF	240	----	----	OFF	OFF	4800

□ S4 is unavailable

8. Appendices B

8-1. Operations of RS232 Serial Port

8-1-1. Hardware design:

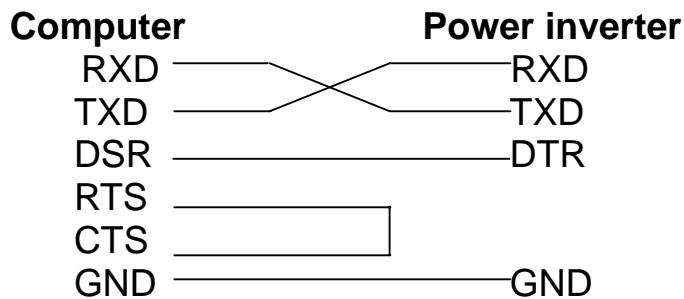
This unit uses a 9-pin D connector and three of RS232 signal lines:

RECEIVE DATA (RXD): PIN2

TRANSMIT DATA (TXD): PIN3

DATA TERMINAL READY (DTR): PIN4

8-1-2. The connection between this unit and a computer is as follows:



- 8-1-3. The RS232 interface of this unit employs ASCII code to implement the asynchronous serial transmission control. The byte structure is START BIT- 8 BIT DATA- STOP BIT
 Baud rate: 1200, 2400, 4800 (SET BY DIP-SW).
 Parity check: NONE, not settable
 Data bit: 8, not settable.
 Stop bit: 1, not settable.

8-2. Interface Command :

The buffer size used for the RS232 port is 12-bytes. This unit will ignore all bytes more than this value.

During transmission, this unit (inverter) will indicate it is ready to receive data from computer by the DTR line. A computer has to check the DTR line before sending any information to this unit.

This unit is normally always ready to receive data while operating.

When a LF character (ASCII code 0AH) is received, this unit would finish the receiving by clearing the DTR status and begin to interpret the received information. The unit would execute the received command (AND/OR data) if it is correct.

Irrespective of whether the command is accepted or not, the unit will always send back a response signal to the computer and set DTR to ready for receiving more incoming information.

8-2-1. The Baud Rate of the RS232 interface is determined by S5 and S6 of DIP-SW, as shows in Appendix A.

Note: You have to reset the unit after adjustment to activate the New settings.

8-2-2. Illustration of the RS232 operation:

8-2-2-1. RS232 command

Command format:

This unit uses high-level language commands with a CR (0DH) and a LF (0AH) as the end of the command. The system would interpret and execute the command only after these two characters are received.

After the unit execute the command, it would send a response string to the computer.

The response string is as follows:

= > CR LF : Command executed successfully

? > CR LF : Command error, not accepted

! > CR LF : Command correct but execution error (e.g. parameters out of range)

If the command needs any information from the unit, The unit would send the information back to the computer (with CR and LF) and then send the response string to the computer.

8-2-2-2. Command format

This unit supports the following commands.
There should always be a CR (0DH) and a LF (0AH) appended to the command while sending the command to this unit.

8-2-2-3. PWRS command:

Power saving function control

Format: PWRS < value >

Illustration: A space (ASCII code 20H) is needed between PWRS and < value >

< value > can be one of the following

“0”: Power saving disable

“1”: Power saving enable

“2”: Inquire the status of saving the response information would be either “0” (disable) or “1” (enable)

8-2-2-4. Power command

Power ON/OFF control

Format: Power < value >

Illustration: A space (ASCII code 20H) is needed between PWRS and < value >

< value > can be one of the following

“0”: Power off, power consumption < 2W, restart time < 5 sec

“1”: Power off, power consumption < 20W, restart time < 2 sec

“2”: Power on

“3”: Inquire the status of power on/off status, the response information would be either “0” (OFF) or “1” (OFF) or “2” (ON)

8-2-2-5. To query status command

Format: STUS <value>

Illustration: Don't need to add any of parameter.

To respond the result be hexadecimal code replaced by 2 ASCII codes that is between 00 ~ FF (0~255), then convert the Hex code to the binary digit after obtaining 8 bytes digit that can be one of following:

"B0 " UVP (LSB)

"B1 " OVP

"B2 " OLP (Loading > 110%)

"B3 " FLP (Loading > 100% / 3 min)

"B4 " OTP

"B5 " BATT Too Low

"B6 " BATT Too High

"B7 " BATT Too High (MSB)

8-2-2-6. To query battery level command

Format: BATT <value>

Illustration : Don't need to add any of parameter.

To respond the result be Hexadecimal code replaced by 2 ASCII codes and is between 00 ~ 0B, then convert into decade digit after obtaining a digit, between 0~11, that can be one of following:

Hex code	Decade code	Indication
00	0	LED 1 glows blinking to indicate low voltage
01	1	LED 1 glows solid.
02	2	LED 2 glows solid.
03	3	LED 3 glows solid.
04	4	LED 4 glows solid.
05	5	LED 5 glows solid.
06	6	LED 6 glows solid.
07	7	LED 7 glows solid.
08	8	LED 8 glows solid.
09	9	LED 9 glows solid.
0A	10	LED 10 glows solid.
0B	11	LED 11 glows blinking to indicate over voltage
00	0	LED 1 glows blinking to indicate low voltage
01	1	LED 1 glows solid.

8-2-2-7. To query load level command:

Format: Load <value>

Illustration: Don't need adding any of parameter.

Respond: The same as BATT <value>

<value> can be one of following

Hex code	Decade code	Indication
00	0	Load < 5%, All of LED indicators go "OFF"
01	1	Load <15%, LED 1 indicator glows.
02	2	Load < 25%, LED 1~LED 2 indicators glow.
03	3	Load < 35%, LED 1~LED 3 indicators glow.
04	4	Load < 45%, LED 1~LED 4 indicators glow.
05	5	Load < 55%, LED 1~LED 5 indicators glow.
06	6	Load < 65%, LED 1~LED 6 indicators glow.
07	7	Load < 75%, LED 1~LED 7 indicators glow.
08	8	Load < 85%, LED 1~LED 8 indicators glow.
09	9	Load < 95%, LED 1~LED 9 indicators glow.
0A	10	Load < 105%, LED 1~LED 10 indicators glow.
0B	11	Load > 105%, All of LED indicators Blinking
06	6	Load < 65%, LED 1~LED 6 indicators glow.
07	7	Load < 75%, LED 1~LED 7 indicators glow.

9. Appendices C

9-1. Remote Control Operations :

System Configuration

- 9-1-1. Plug the 9-pin D-SUB connector of the remote controller in the RS-232 port of the Inverter.
- 9-1-2. Check the setting of DIP-SW S5 & S6, The communication BAUD RATE should be set to 4800bps (S5 & S6 OFF).

LED Indications

- 9-1-3. Turn on the switch of the Inverter, There will be two short beep sounds from the Inverter. All LEDs will be ON and, one second later, there will be a short Beep sound. The amber, green and red LEDs of remote controller will be on for 0.5 second then off sequentially. The Inverter is then in the OFF mode. The amber LED will be blinking every 2~3 seconds.

9-1-3-1. Remote Controller LEDs

Color / Status	Power Saving	Power Output
Green "ON"	Enable	ON
Green "Blinking"	Enable	OFF
Amber "ON"	Disable	ON
Amber "Blinking"	Disable	OFF

Green Power saving enable

Amber Power saving disable

ON Power On

Blinking Power Off

Operations

- 9-1-4. Set SLIDE SW “ON” □ Keypads will not work if SLIDE SW is set “OFF” □
- 9-1-5. Remote ON /OFF: Pressing a button (and releasing in one second) will change (toggle) the output ON/OFF mode and the display of LEDS will be changed accordingly.
- 9-1-6. Operations of power saving mode □
Press the button for 2 seconds and the colors of LED will be changed.
Keep pressing the button and the colors will be toggling between amber and green every 2~3 seconds.
The color of LED will determine the mode of operation.
Green indicates that power saving mode is enabled and amber indicates is disabled.
Release the button when the LED indicating the desired status is reached.
- 9-1-7. The operation power saving enable / disable does not change the power ON/OFF mode.
- 9-1.8. Despite the setting of power saving mode, when a power OFF command is set by pressing a button, the power will be turned OFF and the power saving mode will be set to disable automatically (amber LED will flash for 2~3 seconds). When the power is turned ON, the power saving mode will restore the previous setting.



9-2. Power saving mode

SINERGEX MICROPROCESSOR BASED SINE WAVE INVERTER PS-1500 **SERIES ENABLING AND DISABLING POWER SAVING MODE**

- 9-2-1. When an inverter is powered on and is running in idle condition (there is no load or the load connected to the inverter has been switched off), it will still draw some power from the batteries for keeping the system alive.
- 9-2-2. This inverter features a power saving “ sleep ” mode for conserving the battery power during idle conditions. When this mode is enabled, the inverter senses the output power being drawn and if this is less than 2 to 15 watts, the inverter shuts down the output power. Only essential systems are kept alive to reduce power consumption from the batteries to a very low value of only about 1.5 watts. As soon as a load is switched on, the inverter wakes up from its “sleep” condition and restores the output power after a response time of about 8 seconds. Please note that on waking up from the power saving “sleep” mode, the inverter requires some time to prepare all the systems before it can start delivering power to the load. Hence, the output power will not be available immediately but after a time lag of approx. 15 to 18 sec. If using a hand tool or other appliance with a trigger, keep the Trigger pressed for some time till the power is available to drive the tool / appliance.
- 9-2-3. The power saving “ sleep ” mode can be enabled or disabled with the help of the power on / off switch or with the help of the optional remote control. Procedure to switch between the two states are given in paragraph 6 below. The inverter has been factory pre-set in the enabled condition.

9-2-4. Power saving “sleep ” mode, enabled

9-2-4-1. The front plate has a green led marked “ power saving ” for indication of enabled state of power saving “sleep” mode (here-in-after referred to as the green Led)

9-2-4-2. The power saving “sleep ” mode is enabled in either Of the following indications (when inverter is in on condition):

The green led flashing sequence is :

flash-flash-gap-flash-flash-gap..... (power saving “sleep” mode, idle condition or no load)

The green led is continuously lighted (power saving “sleep” mode, loaded)

9-2-5. Following indications will be observed when the inverter is powered on and subsequently loaded and unloaded when power saving “sleep” mode is in enabled condition: (the initial condition is that the inverter is switched off and all loads are disconnected)

9-2-5-1. Switch on the inverter. There will be 2 beeps and the green led will start flashing with a flashing sequence of flash-flash-flash..... After about 3 seconds, there will be 1 beep, the green led will stop flashing and it will be lighted continuously. Output power will be available after about 15 to 18 sec from the time the green led stops flashing. After the output power is made available, the inverter searches if any load is connected. If the load is less than 2 to 15 watts, the output power is shut down after about 15 seconds from the time the output power is made available. The green led will start a flashing sequence of flash-flash-gap –flash-Flash-gap... (this indicates that the inverter is in power saving “sleep” mode and is idling at no load)

- 9-2-5-2. If now a load more than 2 to 15 watts is switched on, the green led stops flashing after about 3 seconds and will be lighted continuously. After about 15 to 18 seconds after the green led has stopped flashing and become steady, output power will be available to the load. The green led will be lighted continuously (this indicates that the inverter is in power saving “sleep” mode and is in loaded condition)
- 9-2-5-3. If the load is switched off, the output power will be shut down after about 15 to 18 seconds and the green led will start flashing with a flashing sequence of flash-flash-gap-flash-flash-gap.....(this indicates that the inverter is in power saving “sleep” mode and is idling at no load)
- 9-2-6. Power saving “sleep ” mode, disabled
 - 9-2-6-1. The front plate has a green led marked “ power saving ” for indication of enabled state of power save “sleep” mode (here-in-after referred to as the green led)
 - 9-2-6-2. The power saving “sleep ” mode is disabled when the green led marked “power saving” is off. In this mode the output power is always available
 - 9-2-6-3. Following indications will be observed when the inverter is powered on and subsequently loaded and unloaded when power saving “sleep” mode is in disabled condition: (the initial condition is that the inverter is switched off and all loads are disconnected)
 - 9-2-6-3-1. Switch on the inverter. There will be 2 beeps and green led will start flashing with a flashing sequence of flash-flash-flash... After about 3 seconds, there will be 1 beep and the green led will stop flashing and switch off. Output power will be available after about 15 to 18 sec from the time the green led switches off. The output power will be always available, even in no load idling condition. The green led will be off all the time.

9-2-7. **Switching between enabled and disabled states of power saving “sleep mode**

9-2-7-1. Switching between enabled and disabled states of power saving “sleep” mode can be done with the help of the power on / off switch on the front plate of the inverter or with the help of the optional remote control. Switching between the states using the power on/off switch on the front plate of the inverter is done as follows:

This procedure acts as a toggle i.e. if the inverter was in enabled state before the procedure, it will switch to disabled state after the procedure. Likewise, if it was in disabled state before the procedure, it will switch to enabled state after the procedure.

Switch off all the loads, switch off the inverter, and disconnect all loads. Switch on the inverter. There will be 2 beeps and green led will start flashing with a flashing sequence of flash-flash-flash..... (it will flash for approx. 3 seconds). Immediately after it starts flashing, switch off the power on / off switch and immediately switch on again. This will complete the switching procedure. The inverter will continue its power on sequence and switch over to the new state. The power on / off switch should be switched off and on again during the time the green led is flashing (the green led will flash with a sequence of flash-flash-flash..... For about 3 seconds after the inverter is powered on)