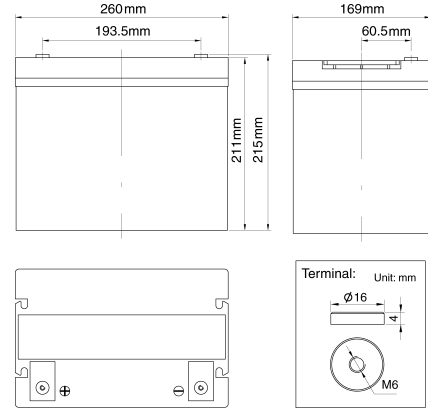


HL75-12A



Specifications

Nominal Voltage		12V
Rated Capacity(20 hour rate)		75AH
Dimension	Total Height (with terminals)	215mm(8.46inches)
	Height	211mm(8.31inches)
	Length	260mm(10.24inches)
	Width	169mm(6.65inches)
Weight		Approx.28.2kg(62.17lbs)

Characteristics

Capacity 77°F(25°C)	20 hour rate(3.75A)	75AH
	10 hour rate(6.98A)	69.8AH
	5 hour rate(12.8A)	64AH
	1 hour rate(45A)	45AH
Internal Resistance	Full charged Battery 77°F(25°C)	6m Ω
Capacity affected by Temperature (20 hour rate)	104°F(40°C)	102%
	77°F(25°C)	100%
	32°F(0°C)	85%
Self-Discharge 77°F(25°C)	Capacity after 3 month storage	88%
	Capacity after 6 month storage	76%
	Capacity after 12 month storage	53%
Max. Discharge Current 77°F(25°C)	1125A(5S)	
Terminal	Standard	F15
	Optional	
Charging (Constant Voltage)	Cycle	Initial Charging Current 15A Or Small 14.5V~14.9V/77°F(25°C)
	Float	13.6V~13.8V/77°F(25°C)

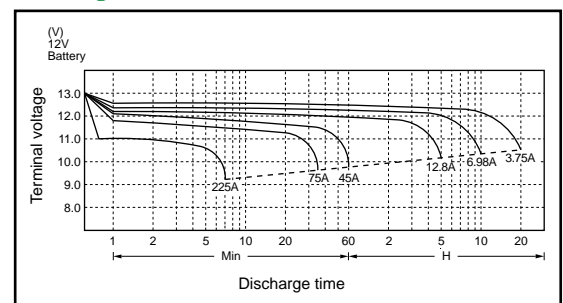
Constant Power Discharge Watts Per Cell @ 77°F(25°C)

End Point Volt/cell	Operation Time To End Point Voltage								
	5min	10min	15min	20min	30min	40min	50min	60min	90min
1.75	395	293	235	196	154	128	108	93.0	65.7
1.70	430	310	245	204	158	130	109	94.0	66.7
1.67	442	317	250	206	159	131	110	94.6	67.0
1.65	449	321	253	208	161	132	111	95.3	67.3
1.60	462	326	255	210	162	133	112	96.2	67.8

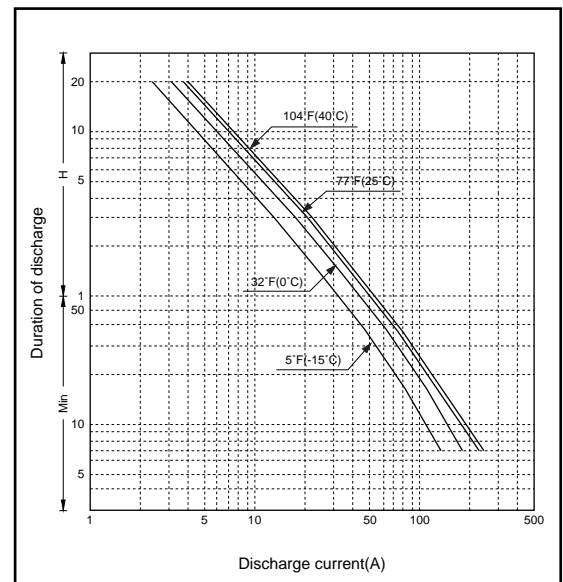
Constant Current Discharge Rating Amperes @ 77°F(25°C)

End Point Volt/cell	Operation Time To End Point Voltage													
	5min	10min	30min	60min	2hr	3hr	4hr	5hr	6hr	7hr	8hr	10hr	20hr	24hr
1.75	215	129	80.2	45.0	27.7	19.8	15.5	12.8	11.0	9.65	8.65	6.98	3.75	3.14
1.80	191	119	76.1	42.8	26.8	19.3	15.2	12.5	10.8	9.43	8.40	6.87	3.66	3.08
1.85	161	108	69.1	39.9	25.2	18.2	14.5	11.9	10.3	9.04	8.02	6.56	3.50	2.94
1.90	126	89.5	60.5	35.3	23.5	16.9	13.4	11.2	9.67	8.49	7.61	6.22	3.32	2.75

Discharge characteristics 77°F(25°C)



Duration of discharge vs. Discharge current



Note The above data are average values, and can be obtained within 3 charge/discharge cycles. These are not minimum values.