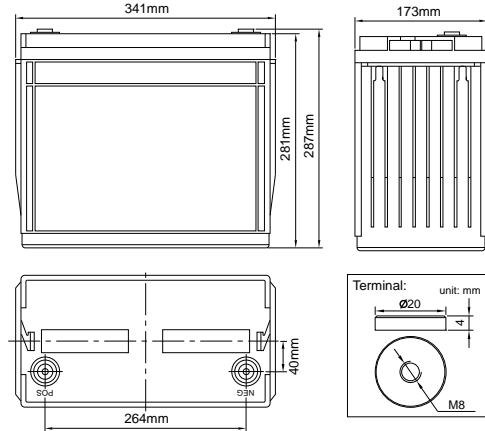


HL135-12



Specifications

Nominal Voltage		12V
Rated Capacity(20 hour rate)		135AH
Dimension	Total Height (with terminals)	287mm(11.30inches)
	Height	281mm(11.06inches)
	Length	341mm(13.43inches)
	Width	173mm(6.8inches)
Weight		Approx.47.5kg(104.72lbs)

Characteristics

Capacity 77°F(25°C)	20 hour rate(6.75A)	135AH
	10 hour rate(12.56A)	125.6AH
	5 hour rate(23.0A)	115AH
	1 hour rate(81A)	81AH
Internal Resistance	Full charged Battery 77°F(25°C)	2.5mΩ
Capacity affected by Temperature (20 hour rate)	104°F(40°C)	102%
	77°F(25°C)	100%
	32°F(0°C)	85%
	5°F(-15°C)	65%
Self-Discharge 77°F(25°C)	Capacity after 3 month storage	88%
	Capacity after 6 month storage	76%
	Capacity after 12 month storage	53%
Max. Discharge Current 77°F(25°C)	2025A(5S)	
Terminal	Standard	F17
	Optional	
Charging (Constant Voltage)	Cycle	Initial Charging Current 27A Or Small 14.5V~14.9V/77°F(25°C)
	Float	13.6V~13.8V/77°F(25°C)

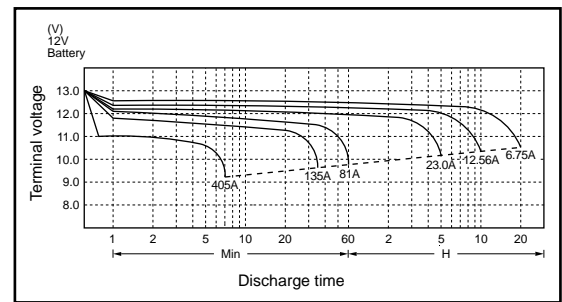
Constant Power Discharge Watts Per Cell @ 77°F(25°C)

End Point Volt/cell	Operation Time To End Point Voltage								
	5min	10min	15min	20min	30min	40min	50min	60min	90min
1.75	626	481	400	344	268	218	186	163	126
1.70	663	512	418	355	275	225	189	164	127
1.67	696	536	432	363	279	227	193	165	128
1.65	703	542	437	366	280	228	194	166	129
1.60	734	559	451	377	285	231	196	168	131

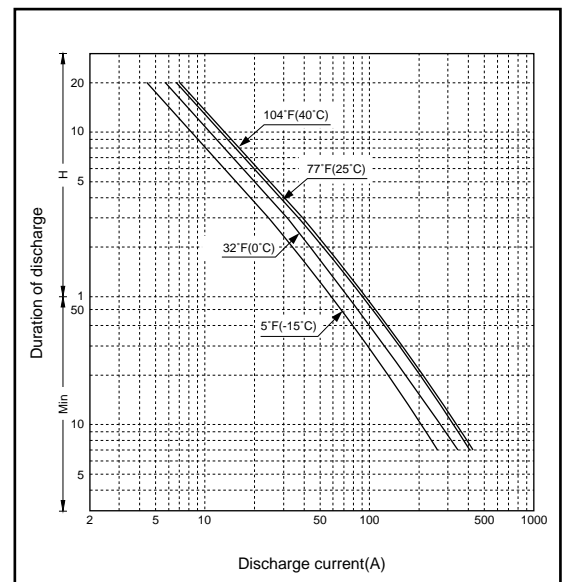
Constant Current Discharge Rating Amperes @ 77°F(25°C)

End Point Volt/cell	Operation Time To End Point Voltage													
	5min	10min	30min	60min	2hr	3hr	4hr	5hr	6hr	7hr	8hr	10hr	20hr	24hr
1.75	337	215	141	81.0	46.7	33.8	26.5	23.0	18.9	16.6	14.4	12.6	6.75	5.65
1.80	302	199	133	79.2	45.3	32.6	25.7	22.4	18.4	16.0	14.4	12.2	6.61	5.54
1.85	248	175	121	71.7	42.3	30.7	24.3	21.3	17.4	15.3	13.7	11.8	6.29	5.29
1.90	189	144	101	60.3	39.0	28.4	22.6	19.8	16.2	14.2	12.9	11.0	5.87	4.94

Discharge characteristics 77°F(25°C)



Duration of discharge vs. Discharge current



Note The above data are average values, and can be obtained within 3 charge/discharge cycles. These are not minimum values.